

PLEASE CHECK WWW.MOLEX.COM FOR LATEST PART INFORMATION

Part Number: [0447641002](#)
Status: **Active**
Overview: [microfit_30](#)
Description: 3.00mm (.118") Pitch Micro-Fit 3.0, BMI™ Receptacle Header, Dual Row, Right Angle, with Press-fit Plastic Pegs, 0.38µm (15µ") Gold (Au) Selective, 10 Circuits

Documents:

[3D Model](#) [Product Specification PS-44300-001 \(PDF\)](#)
[Drawing \(PDF\)](#) [RoHS Certificate of Compliance \(PDF\)](#)

Agency Certification

CSA LR19980
TUV R72081037
UL E29179

General

Product Family PCB Receptacles
Series [44764](#)
Application Board-to-Board, Wire-to-Board
Overview [microfit_30](#)
Product Literature Order No USA-106
Product Name Micro-Fit 3.0 BMI™

Physical

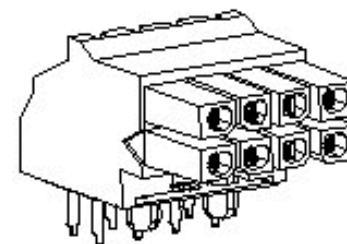
Circuits (Loaded) 10
Durability (mating cycles max) 30
Flammability 94V-0
Glow-Wire Compliant No
Material - Metal Phosphor Bronze
Material - Plating Mating Gold
Material - Plating Termination Tin
Number of Rows 2
Orientation Right Angle
PCB Locator Yes
PCB Retention Yes
PCB Thickness Recommended (in) 0.062 In
PCB Thickness Recommended (mm) 1.60 mm
Packaging Type Tray
Pitch - Mating Interface (in) 0.118 In
Pitch - Mating Interface (mm) 3.00 mm
Plating min: Mating (µin) 15.2
Plating min: Mating (µm) 0.38
Plating min: Termination (µin) 101.6
Plating min: Termination (µm) 2.54
Polarized to PCB Yes
Surface Mount Compatible (SMC) No
Temperature Range - Operating -40°C to +105°C
Termination Interface: Style Through Hole

Electrical

Current - Maximum per Contact 5A
Voltage - Maximum 250V

Solder Process Data

Duration at Max. Process Temperature (seconds) 5
Lead-free Process Capability Wave Capable (TH only)
Max. Cycles at Max. Process Temperature 1



Series

image - Reference only

EU RoHS

**ELV and RoHS
Compliant**
**REACH SVHC
Contains SVHC: No**
**Halogen-Free
Status
Not Reviewed**

China RoHS



**Need more information on product
environmental compliance?**

Email productcompliance@molex.com
For a multiple part number RoHS Certificate of Compliance, [click here](#)

Please visit the [Contact Us](#) section for any non-product compliance questions.

Search Parts in this Series

[44764Series](#)

Mates With

[44428](#) , [44300](#) , [44432](#)

Process Temperature max. C

260

Material Info

Reference - Drawing Numbers

Packaging Specification

PK-44764-001, PK-44764-002

Product Specification

PS-44300-001, RPS-44300-001

Sales Drawing

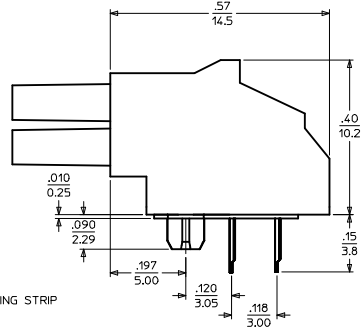
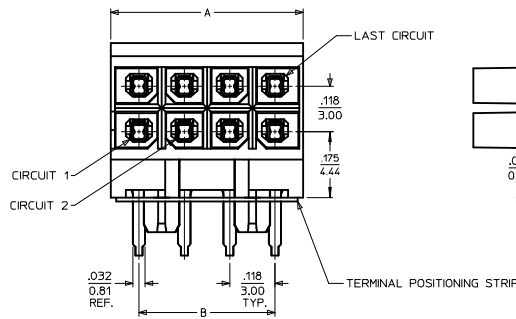
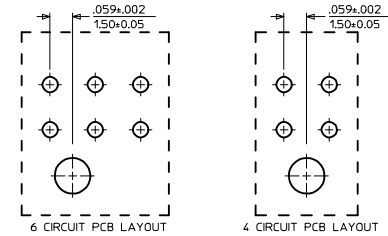
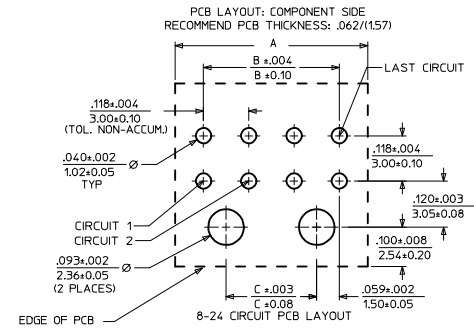
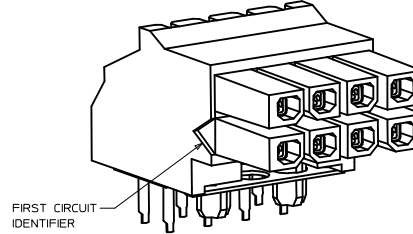
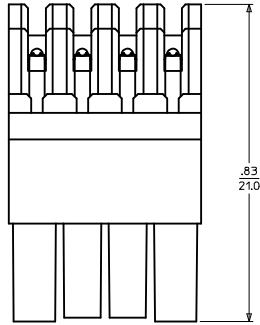
SD-44764-003

This document was generated on 05/21/2010

PLEASE CHECK WWW.MOLEX.COM FOR LATEST PART INFORMATION

| MATERIAL NUMBER | NUMBER OF POSITIONS | PLATING OPTION |
|-----------------|---------------------|----------------|
| | 04 | A |
| | 04 | B |
| | 04 | C |
| | 06 | A |
| | 06 | B |
| | 06 | C |
| | 08 | A |
| | 08 | B |
| | 08 | C |
| | 10 | A |
| 44764-1022 | 10 | B |
| | 10 | C |
| | 12 | A |
| | 12 | B |
| | 12 | C |
| | 14 | A |
| | 14 | B |
| | 14 | C |
| | 16 | A |
| | 16 | B |
| | 16 | C |
| | 18 | A |
| | 18 | B |
| | 18 | C |
| | 20 | A |
| | 20 | B |
| | 20 | C |
| | 22 | A |
| | 22 | B |
| | 22 | C |
| | 24 | A |
| | 24 | B |
| | 24 | C |

| NUMBER OF POSITIONS | DIM. "A" | DIM. "B" | DIM. "C" |
|---------------------|---------------|---------------|---------------|
| 24 | 1.445/(36.70) | 1.299/(33.00) | 1.181/(30.00) |
| 22 | 1.327/(33.70) | 1.181/(30.00) | 1.063/(27.00) |
| 20 | 1.209/(30.70) | 1.063/(27.00) | .945/(24.00) |
| 18 | 1.091/(27.70) | .945/(24.00) | .827/(21.00) |
| 16 | .972/(24.70) | .827/(21.00) | .709/(18.00) |
| 14 | .854/(21.70) | .709/(18.00) | .591/(15.00) |
| 12 | .736/(18.70) | .591/(15.00) | .472/(12.00) |
| 10 | .618/(15.70) | .472/(12.00) | .354/(9.00) |
| 8 | .500/(12.70) | .354/(9.00) | .236/(6.00) |
| 6 | .382/(9.70) | .236/(6.00) | |
| 4 | .264/(6.70) | .118/(3.00) | |



- NOTES:
- MATERIAL:
HOUSING: HIGH TEMP NYLON, GLASS FILLED, U.L. 94V-0, COLOR BLACK
TERMINAL: PHOSPHOR BRONZE ALLOY
POSITIONING STRIP: MYLAR, COLOR NATURAL
 - FINISH:
(A) = HOT TIN DIP: .00040/0.00102 MIN.
(B) = SELECTIVE GOLD IN THE CONTACT AREA: .000015/0.00039 MIN., SELECTIVE TIN IN THE PC TAIL AREA: .000100/0.00254 MIN., BOTH OVER .000050/0.00127 MIN. NICKEL.
(C) = SELECTIVE GOLD IN THE CONTACT AREA: .000030/0.00076 MIN., SELECTIVE TIN IN THE PC TAIL AREA: .000100/0.00254 MIN., BOTH OVER .000050/0.00127 MIN. NICKEL.
 - PRODUCT SPECIFICATIONS: PS-44300-001
 - PACKAGING SPECIFICATION: TUBE PACKED PER PK-44764-002
 - MATES WITH HEADER ASSEMBLY 44428, 44432, AND 44300
 - MOLEX RECOMMENDS THE USE OF MICRO-FIT TEST PLUG (SERIES 44242) WHENEVER CONTINUITY TESTING IS PERFORMED. TEST PLUGS MUST NOT BE USED TO MAKE OR BREAK UNDER LOAD. MOLEX DOES NOT RECOMMEND USING STANDARD MATING COMPONENTS (SERIES 44428, 44432, OR 44300) FOR TESTING PURPOSES.

| | | | | | | | | |
|--|-----------------------------------|---------------------------------------|--|--------------------------|--|---|---------------------|---------------------|
| INITIAL RELEASE EC NO: UCP2009-0615 DRWN:GAVERRILL 2008/09/15 CHKD:SSOUSEK 2008/09/16 APPR:FSMITH 2008/09/16 | QUALITY SYMBOLS ▽ - 0 ▽ - 0 | GENERAL TOLERANCES (UNLESS SPECIFIED) | | SCALE --- | DESIGN UNITS INCH | THIRD ANGLE PROJECTION | REVISE ON CAD ONLY | |
| | | | | DIMENSION STYLE IN/MM | | TITLE MICRO-FIT (3.0) BMI R/A RECEPTACLE ASS'Y 4 - 24 CKT, TUBE PACKED | | |
| | | 4 PLACES ± --- ± --- | | DRAWN BY GAVERRILL | DATE 2008/09/11 | MATERIAL NO. SEE CHART SD-44764-003 | | SHEET NO. 1 OF 1 |
| | | 3 PLACES ± --- ± .010 | | CHECKED BY SSOUSEK | DATE 2008/09/11 | MATERIAL NO. SEE CHART SD-44764-003 | | SHEET NO. 1 OF 1 |
| 2 PLACES ± 0.25 ± .014 | | APPROVED BY FSMITH | | DATE 2008/09/15 | MATERIAL NO. SEE CHART SD-44764-003 | | SHEET NO. 1 OF 1 | |
| 1 PLACE ± 0.35 ± --- | | ANGULAR ± 1/2° | | DRAFT WHERE APPLICABLE | | THIS DRAWING CONTAINS INFORMATION THAT IS PROPRIETARY TO MOLEX INCORPORATED AND SHOULD NOT BE USED WITHOUT WRITTEN PERMISSION | | |
| MUST REMAIN WITHIN DIMENSIONS | | | | | | | | |